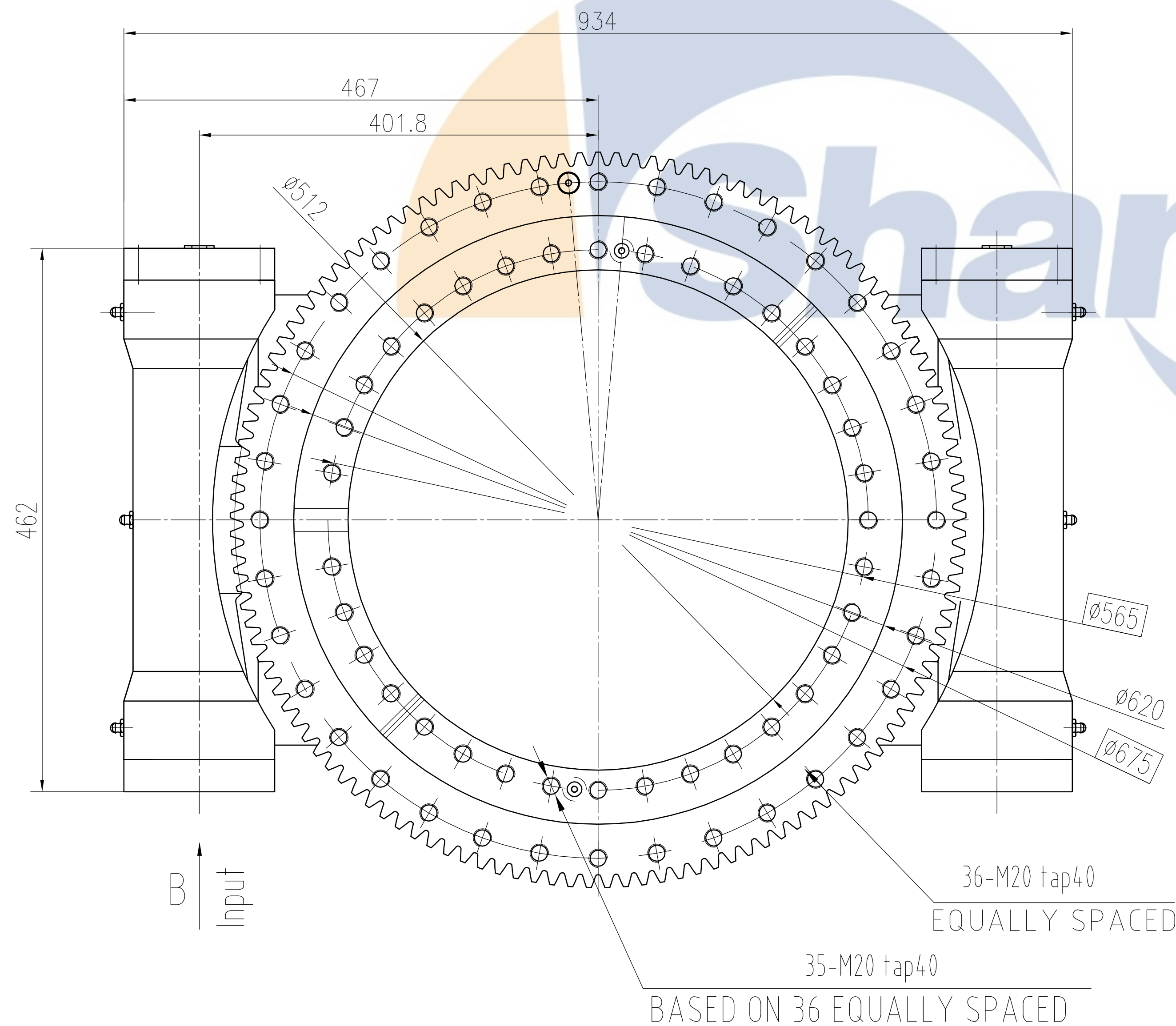
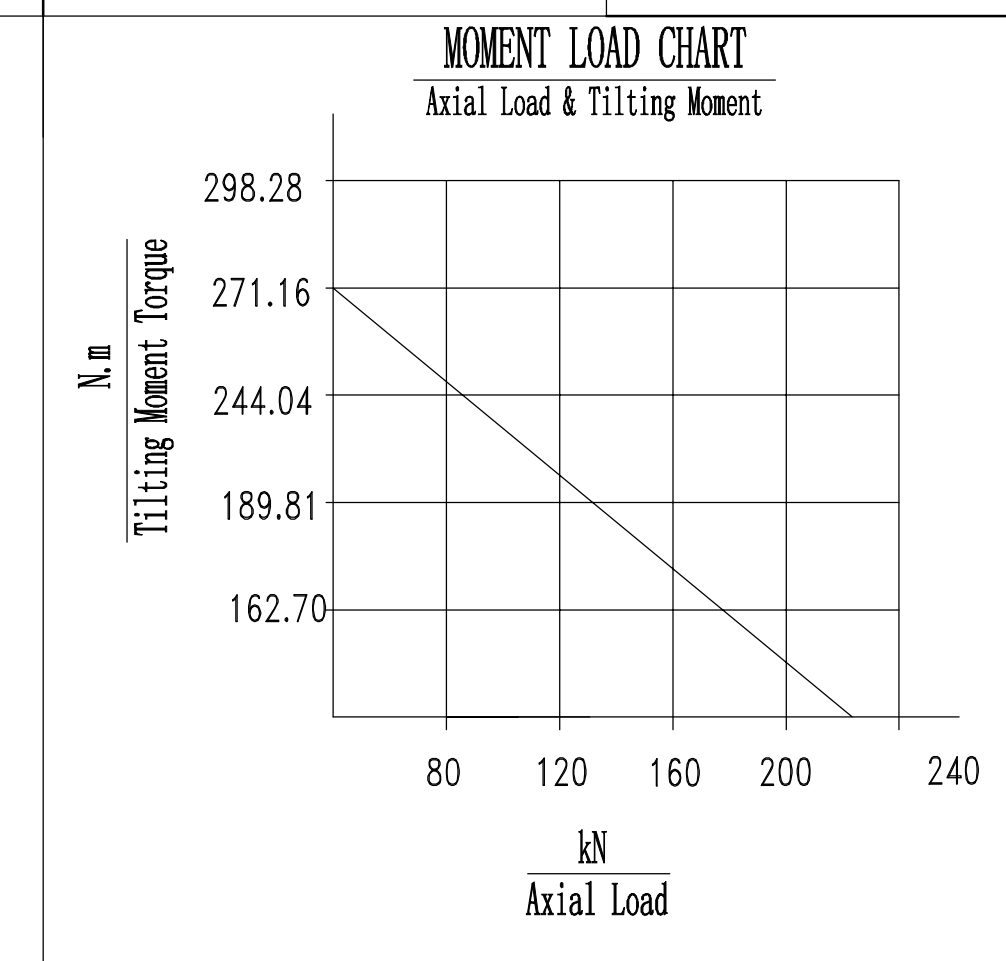
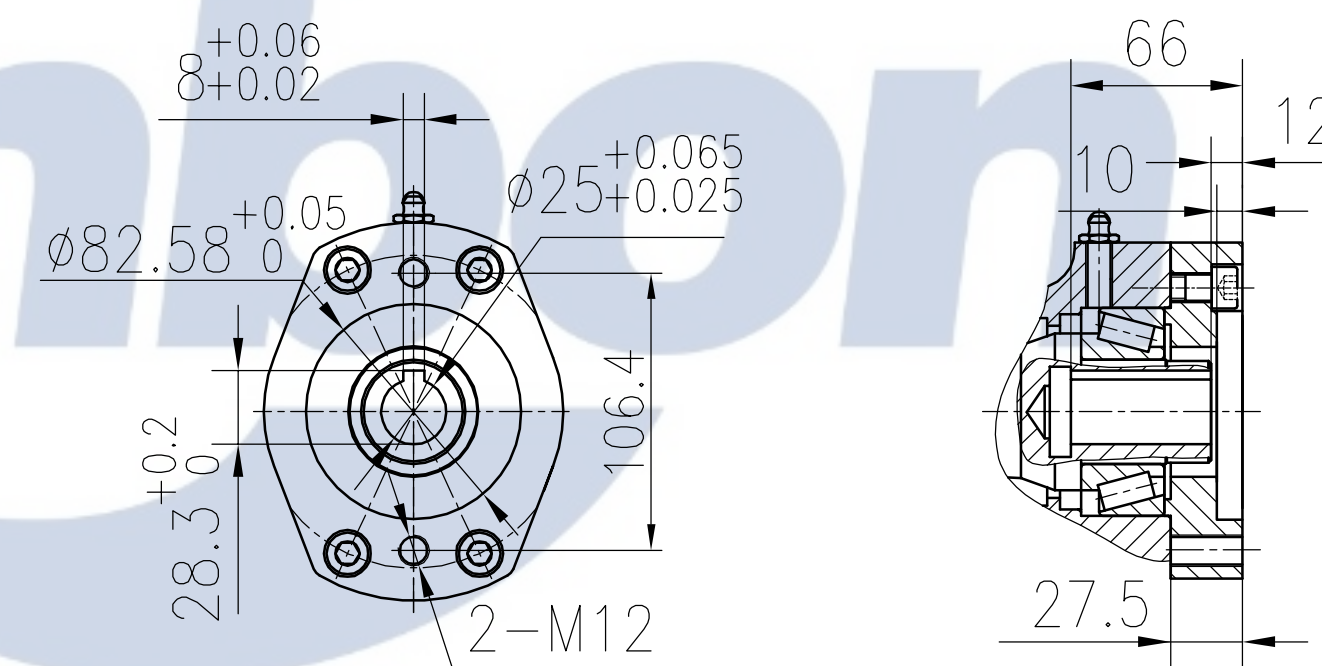

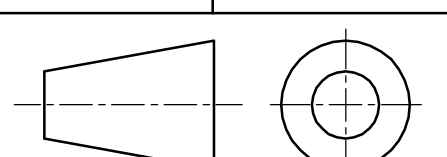


Gear Ratio	150:1
Rated Output Torque	28000 N.m
Rated Output Speed	≤ 3/rpm
Tilting Moment Torque	271 kN.m
Holding Torque	158.3 kN.m
Static Axial Rating	2360 kN
Static Radial Rating	945 kN
Tracking Precision	≤0.15°
Self Locking Gears	Yes
Operating Temperature	-20 °C / +120 °C
Weight	222 kg



B view



REV	DATE	REVISER	DESCRIPTION				
DESIGNED BY	Andrew			Xuzhou Shambon Machinery Co., Ltd. www.xzshangbang.com			
CHECKED BY	Colin						
APPROVED BY	Ivan						
<small>ALL PROPRIETARY RIGHTS IN THE SUBJECT MATTER HERE OF ARE RESERVED, AND NO PERMISSION IS GRANTED OR TO DISCLOSE REPRODUCE THIS PRINT IN WHOLE OR IN PART, ANY OF THE INFORMATION TO OTHERS.</small>			WEIGHT	SCALE	SLEWING DRIVE		
SYMBOLS ISO		SIZE	A3	SHEET	1/1	S25-150-2H-25R	REV
							A