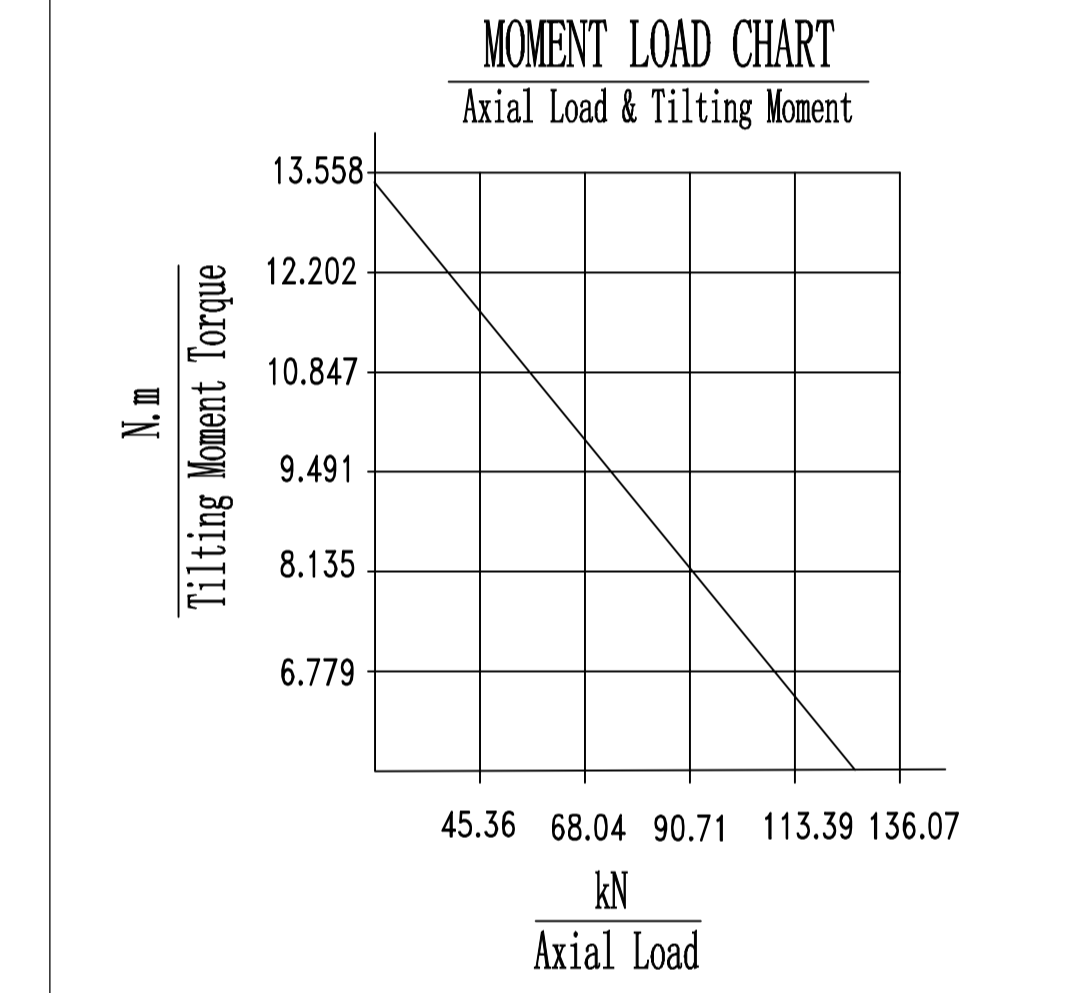
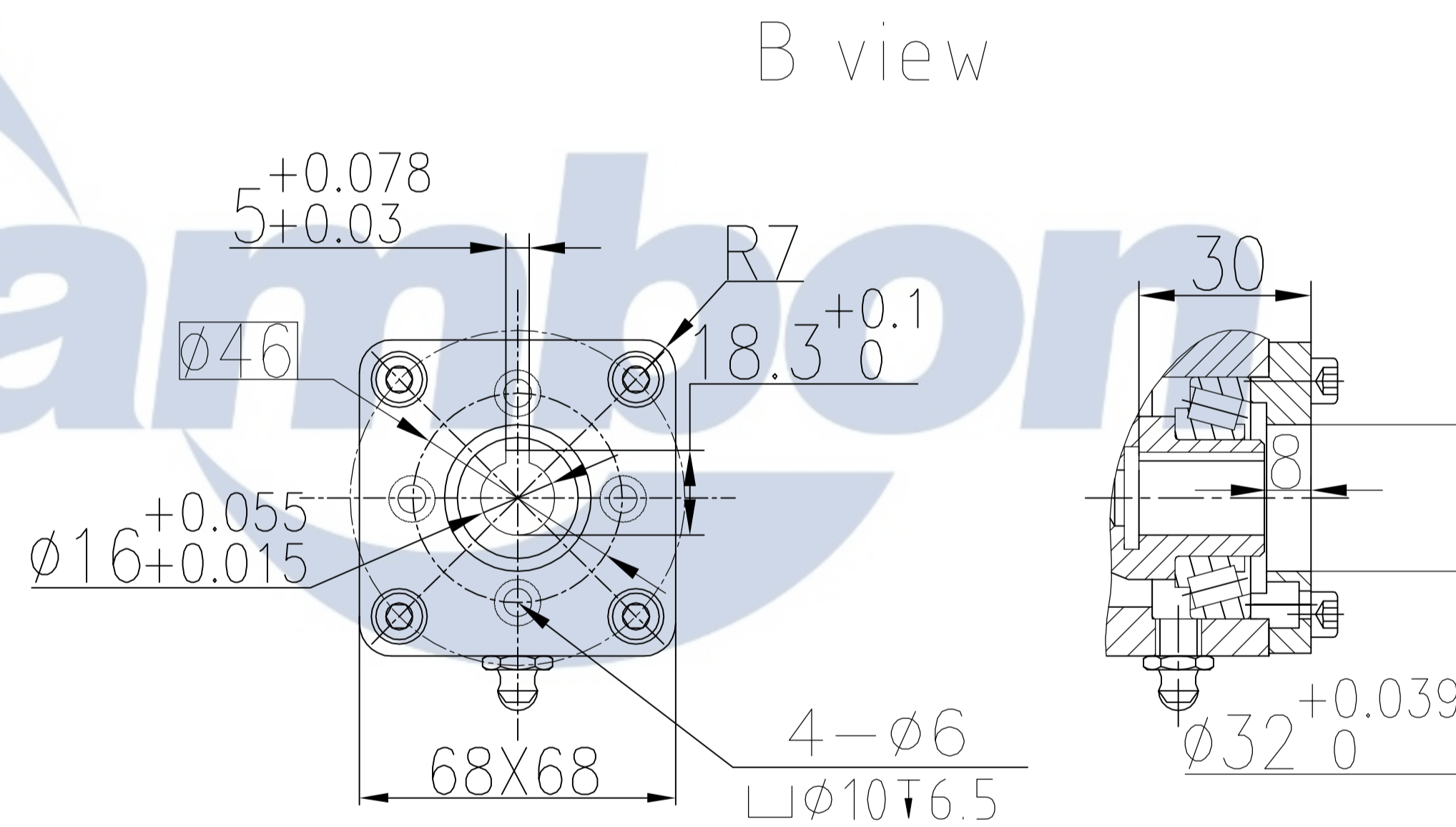
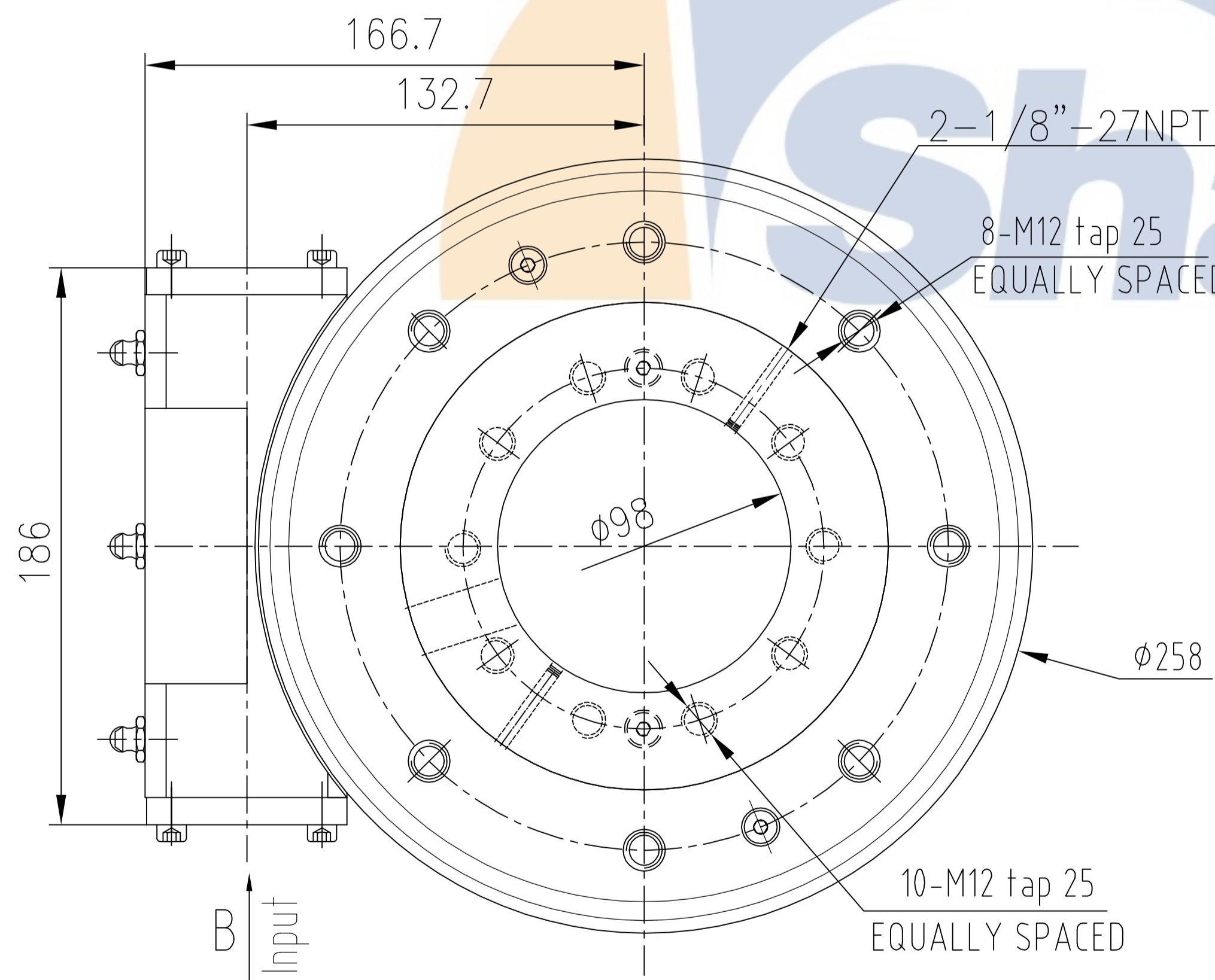

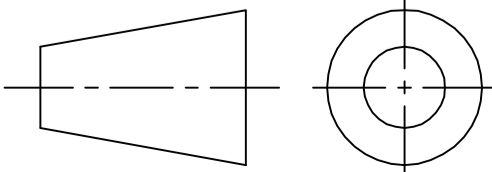


Gear Ratio	73:1
Rated Output Torque	1500 N.m
Rated Output Speed	≤ 3/rpm
Tilting Moment Torque	13500N.m
Holding Torque	10400N.m
Static Axial Rating	133 kN
Static Radial Rating	53 kN
Tracking Precision	≤0.2°
IP Class	IP55
Self Locking Gears	Yes
Operating Temperature	-20°C / +120°C
Weight	23kg



REV	DATE	REVISER	DESCRIPTION		
DESIGNED BY	Andrew		 Xuzhou Shambon Machinery Co., Ltd. www.xzshangbang.com	SLEWING DRIVE	
CHECKED BY	Colin				
APPROVED BY	Ivan				
ALL PROPRIETARY RIGHTS IN THE SUBJECT MATTER HERE OF ARE RESERVED, AND NO PERMISSION IS GRANTED OR TO DISCLOSE REPRODUCE THIS PRINT IN WHOLE OR IN PART, ANY OF THE INFORMATION TO OTHERS.			WEIGHT	SCALE	SE7-73-16R
SYMBOL ISO			SHEET	1/1	
SIZE A3 					REV A